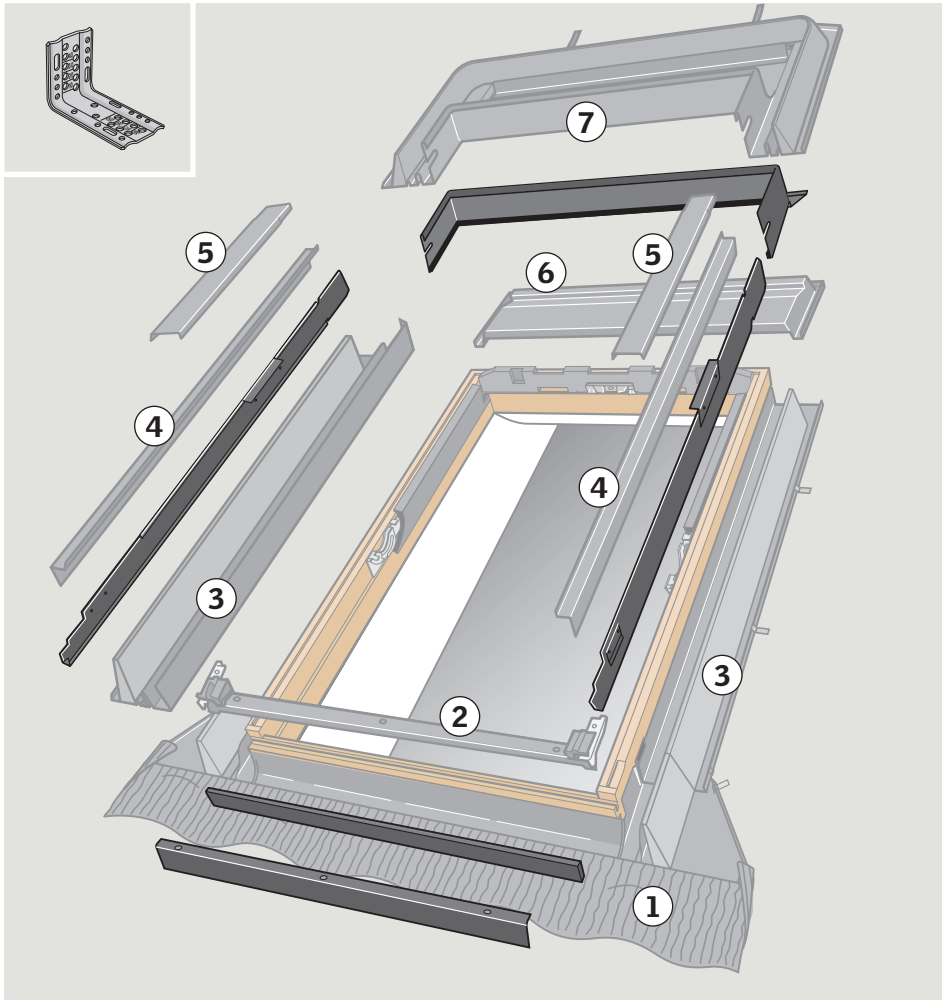


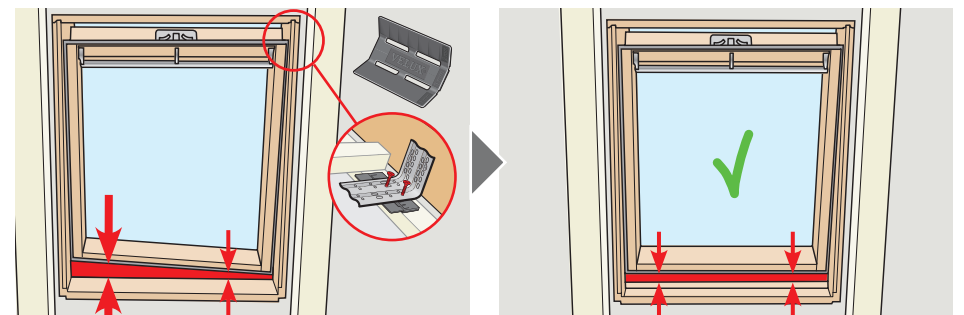
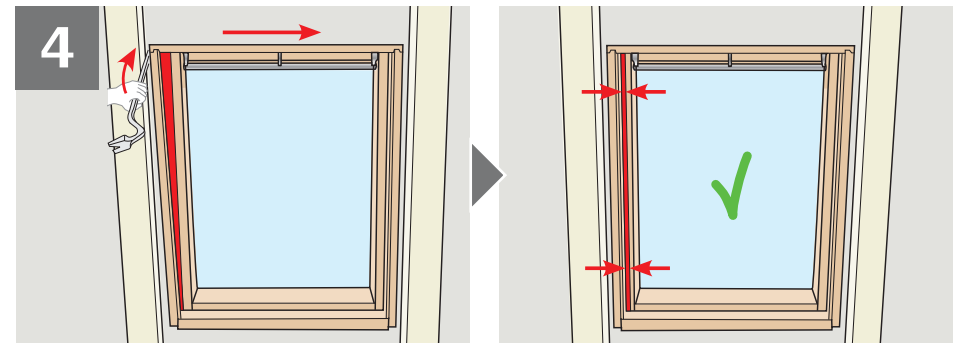
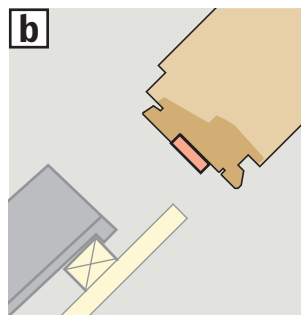
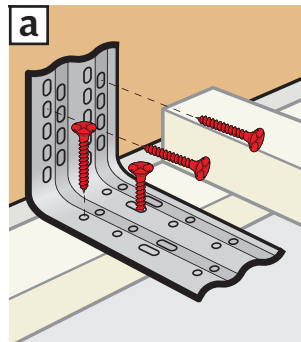
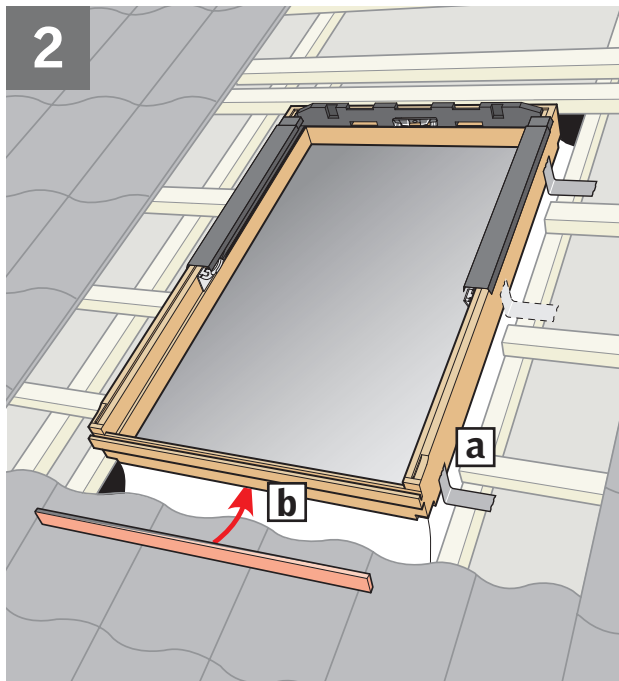
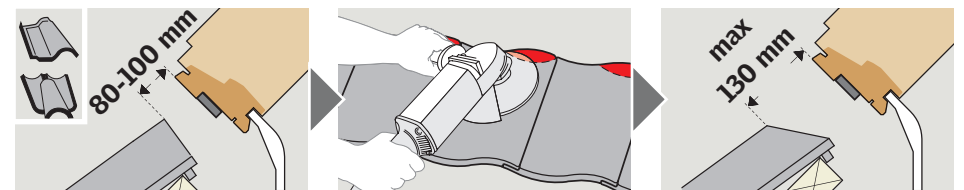
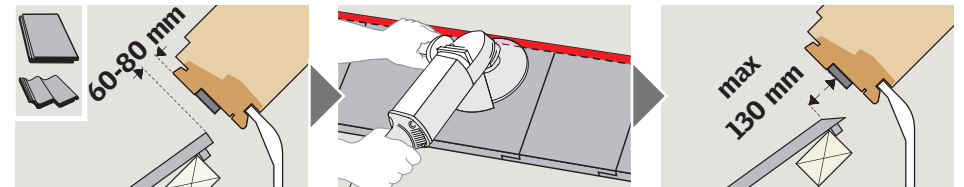
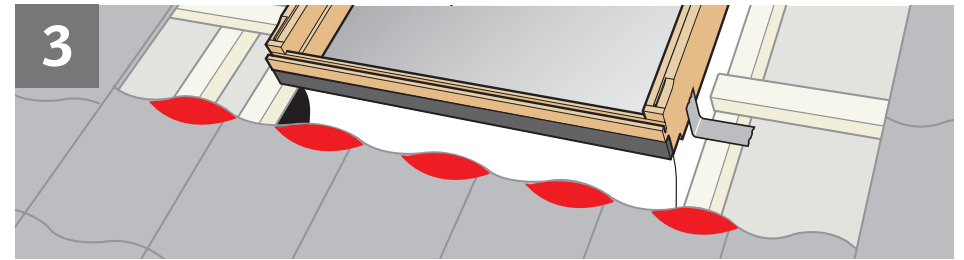
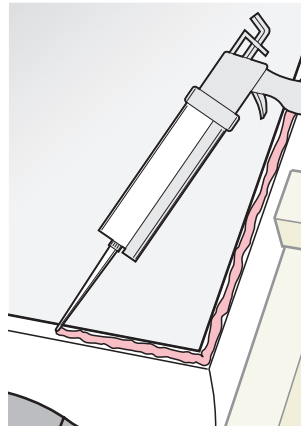
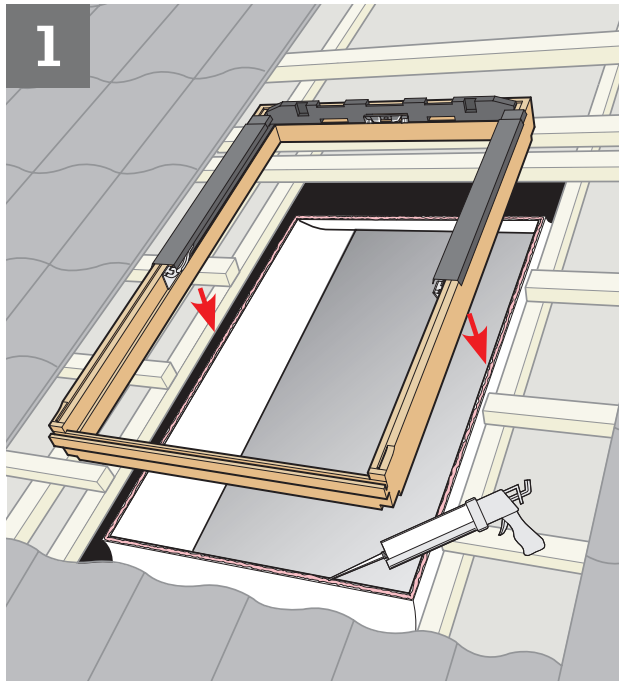
ELX

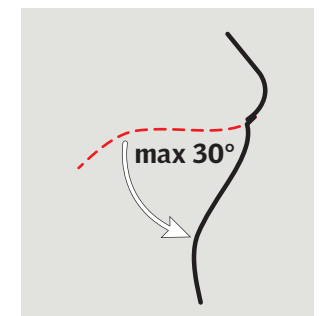
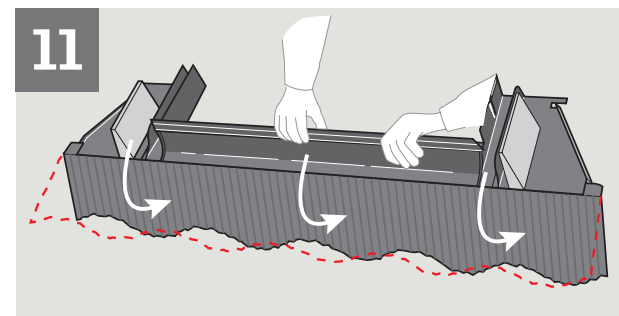
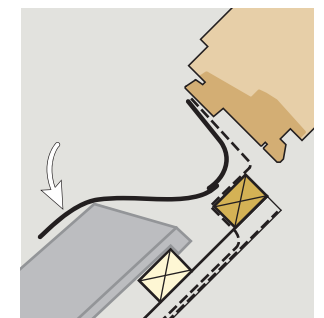
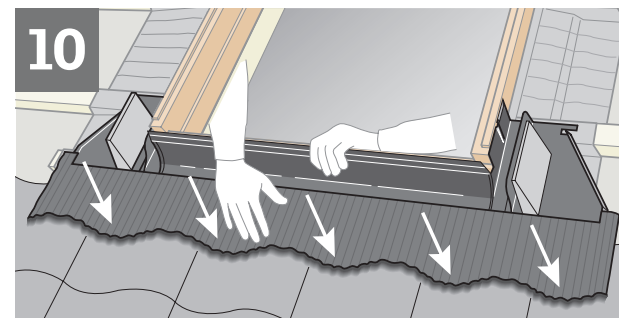
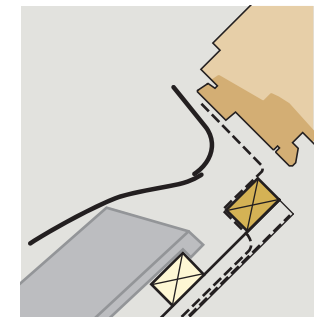
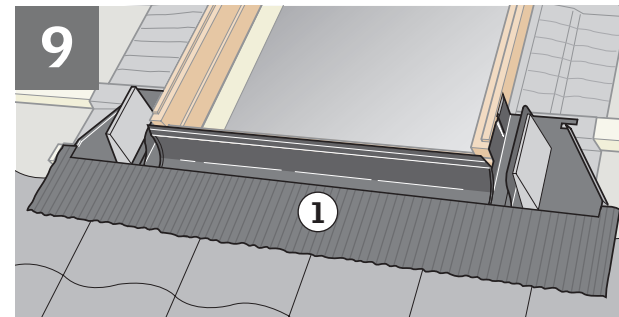
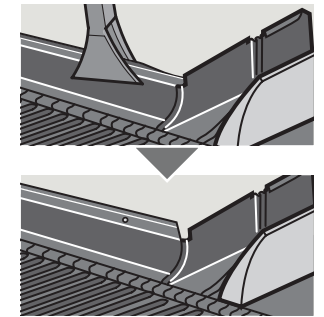
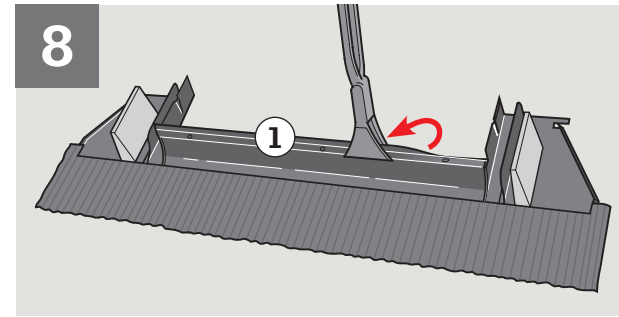
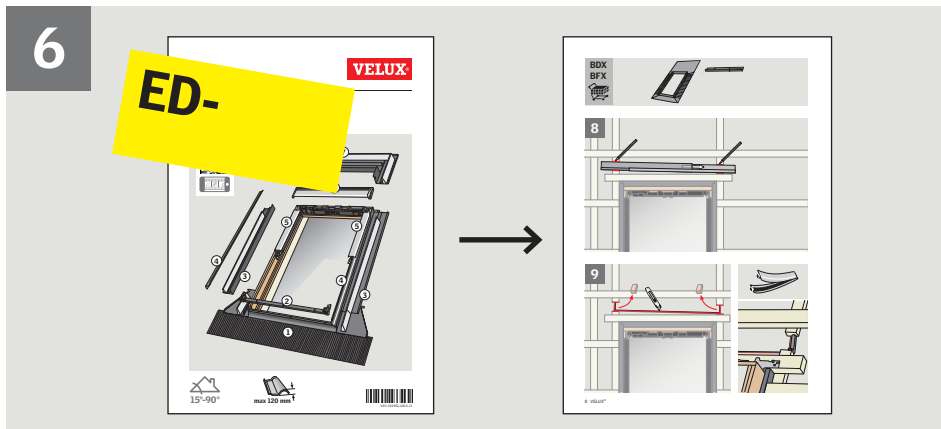
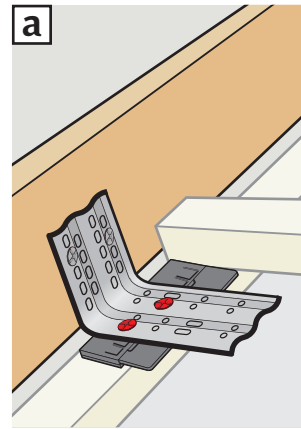
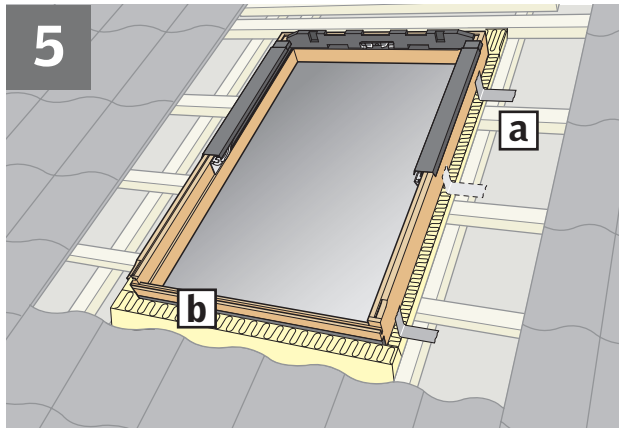


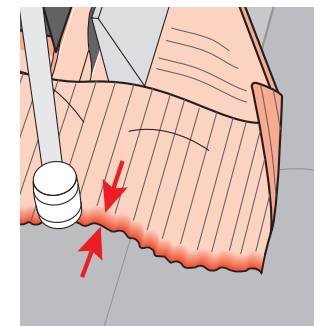
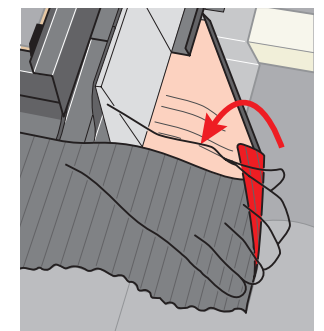
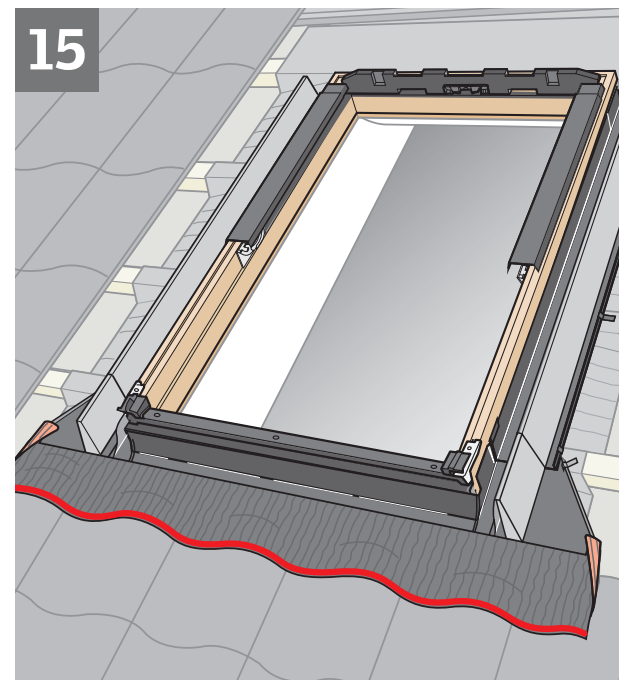
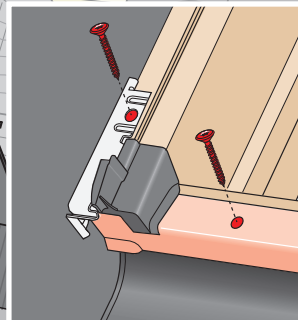
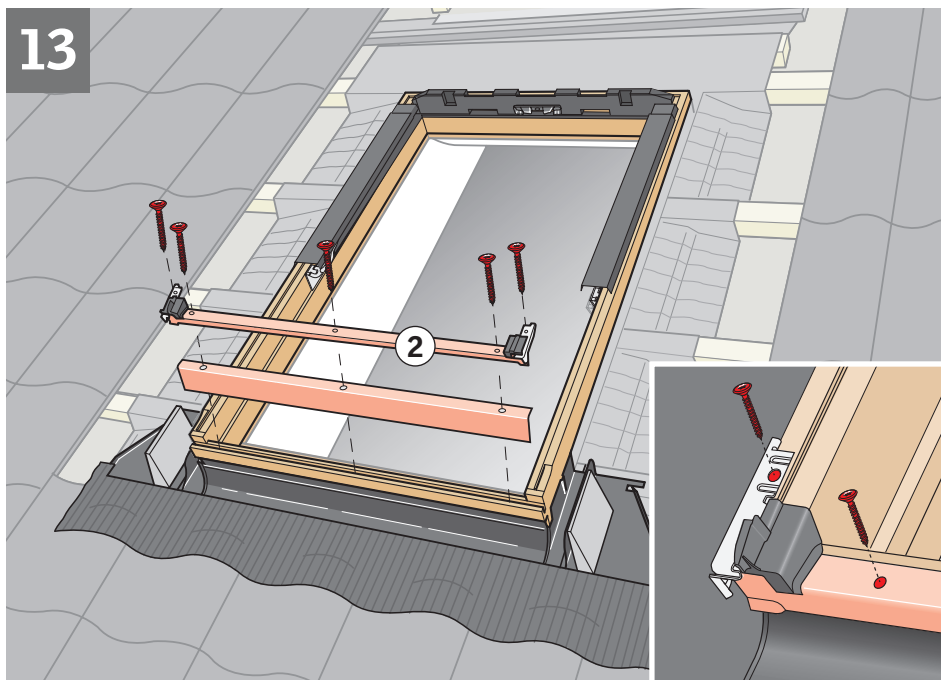
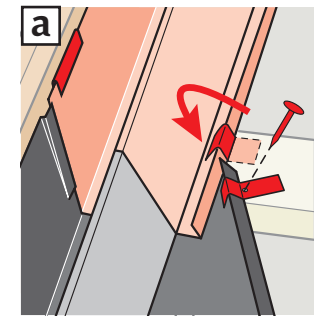
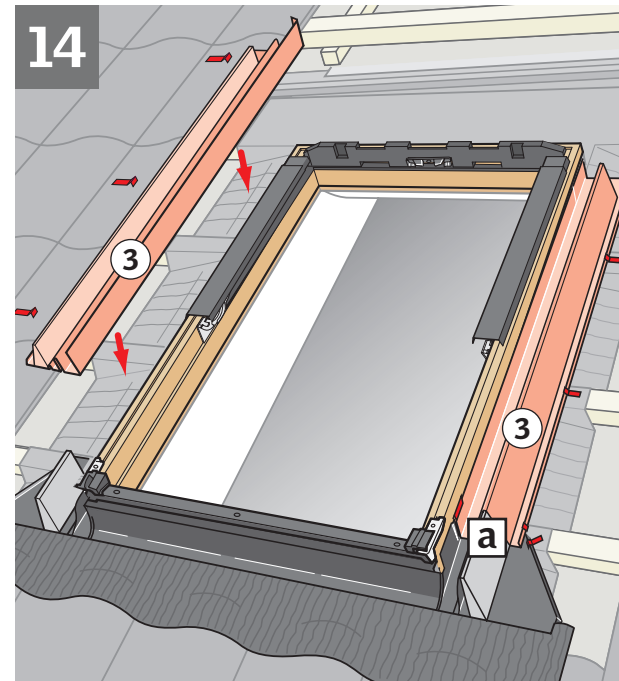
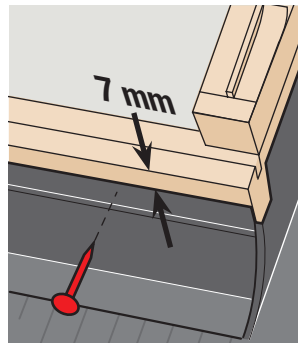
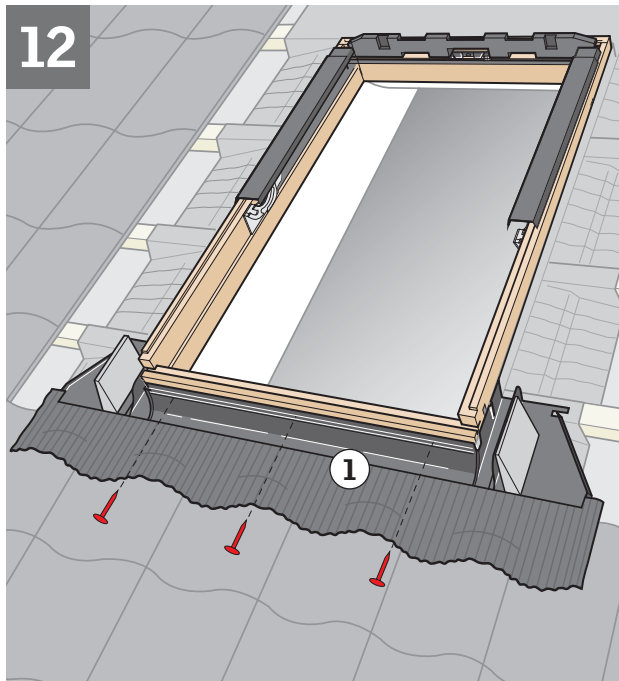
INSTALLATION INSTRUCTIONS FOR FLASHING ELX. ©2013, 2016 VELUX GROUP. ©VELUX AND THE VELUX LOGO ARE REGISTERED TRADEMARKS USED UNDER LICENSE BY THE VELUX GROUP.

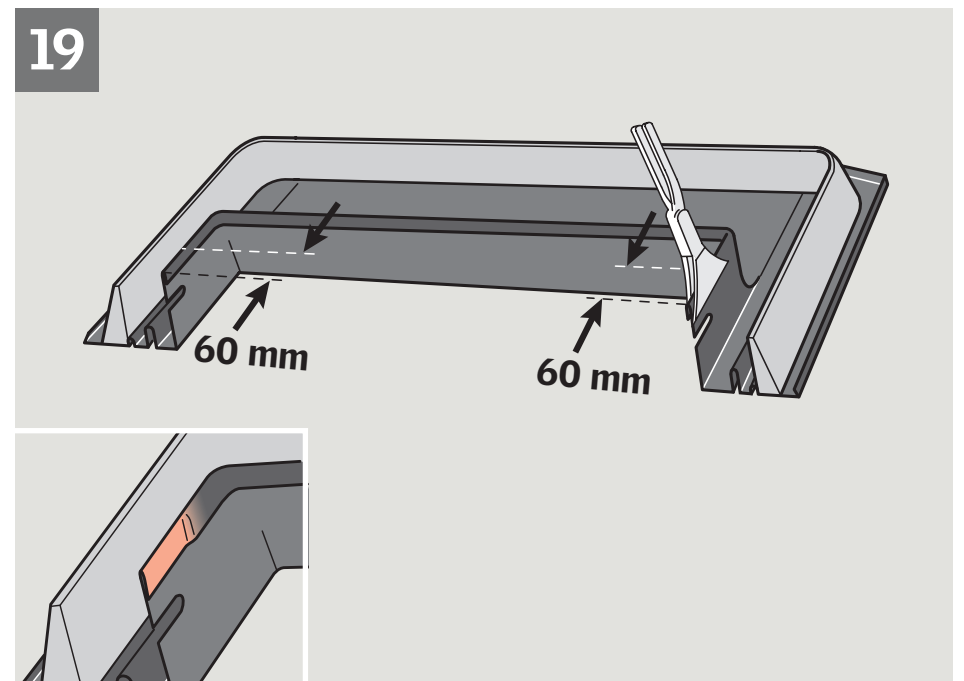
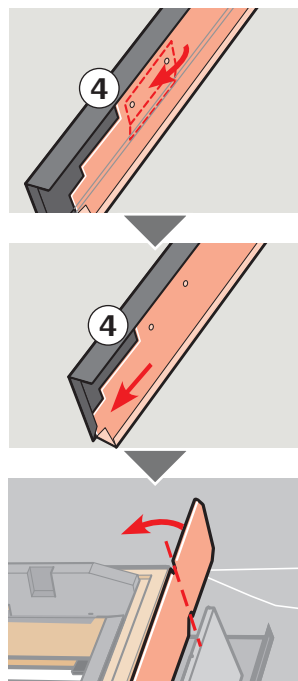
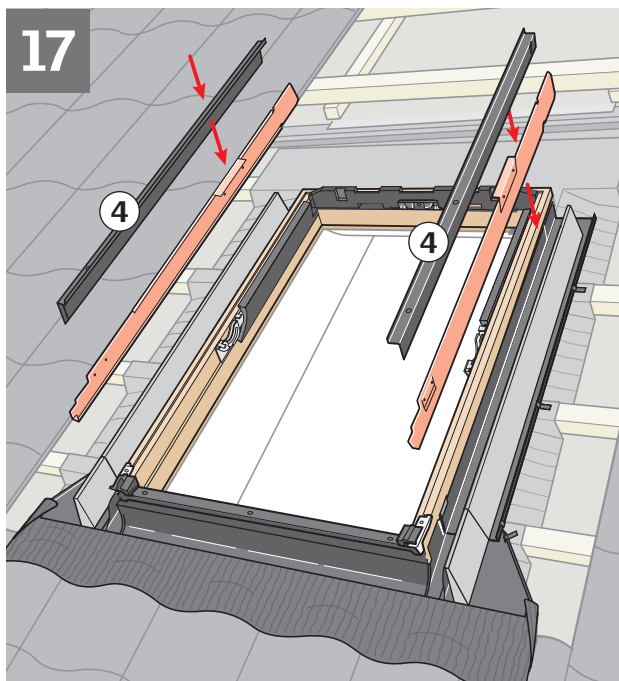
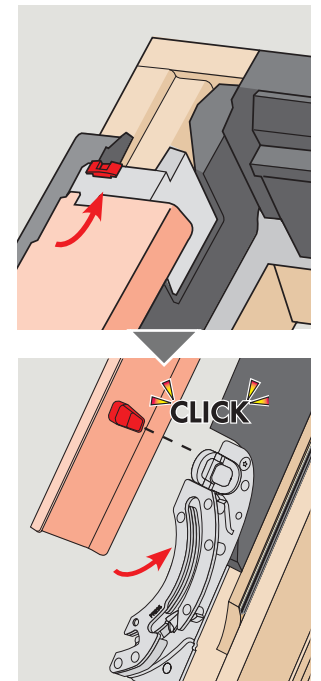
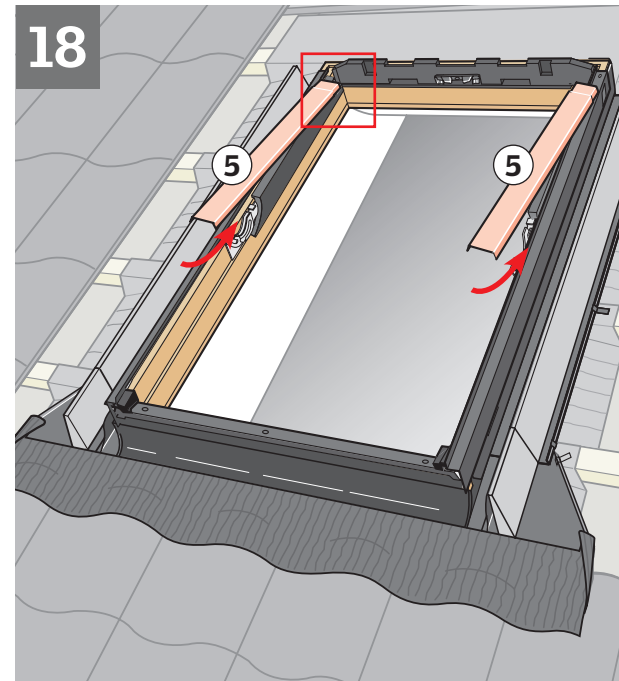
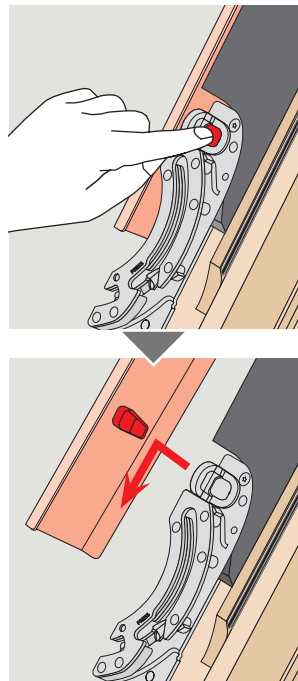
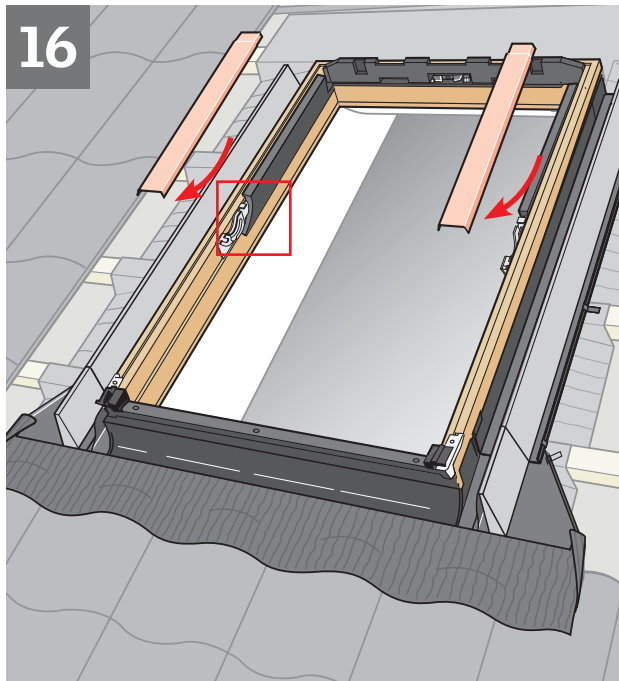


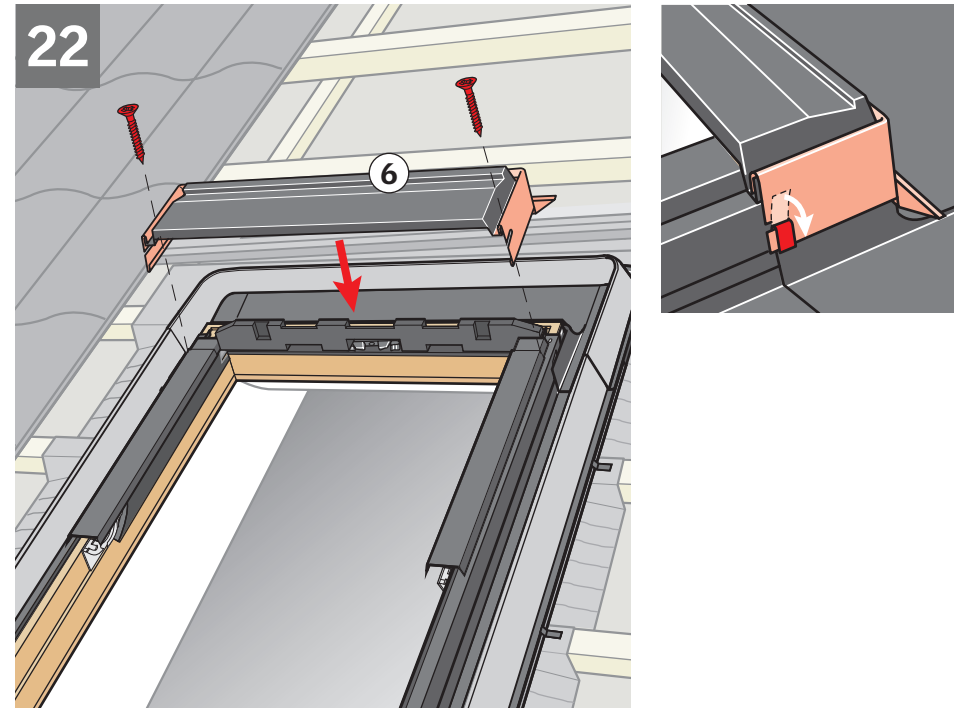
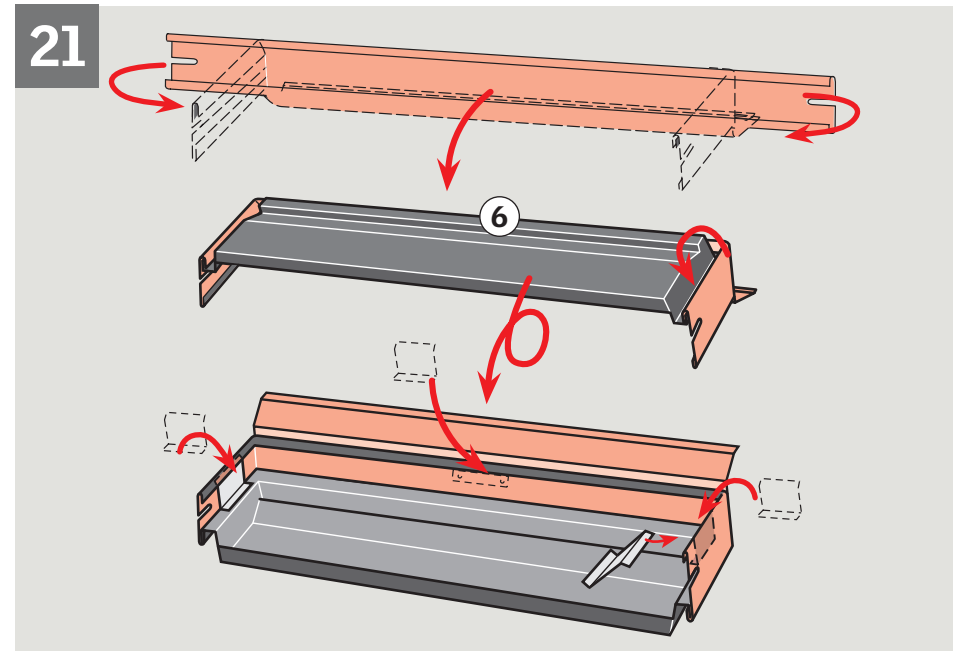
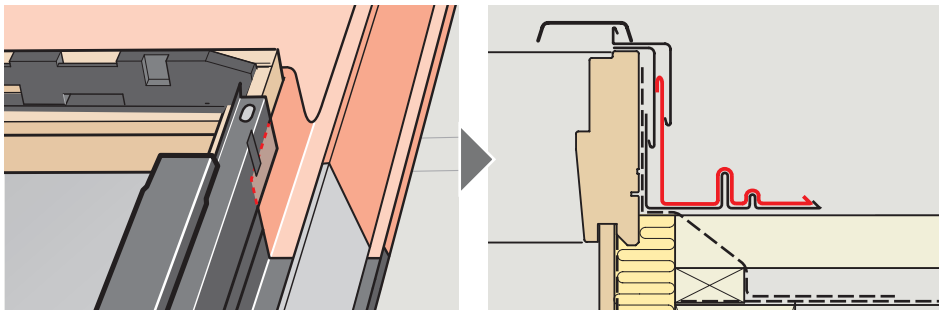
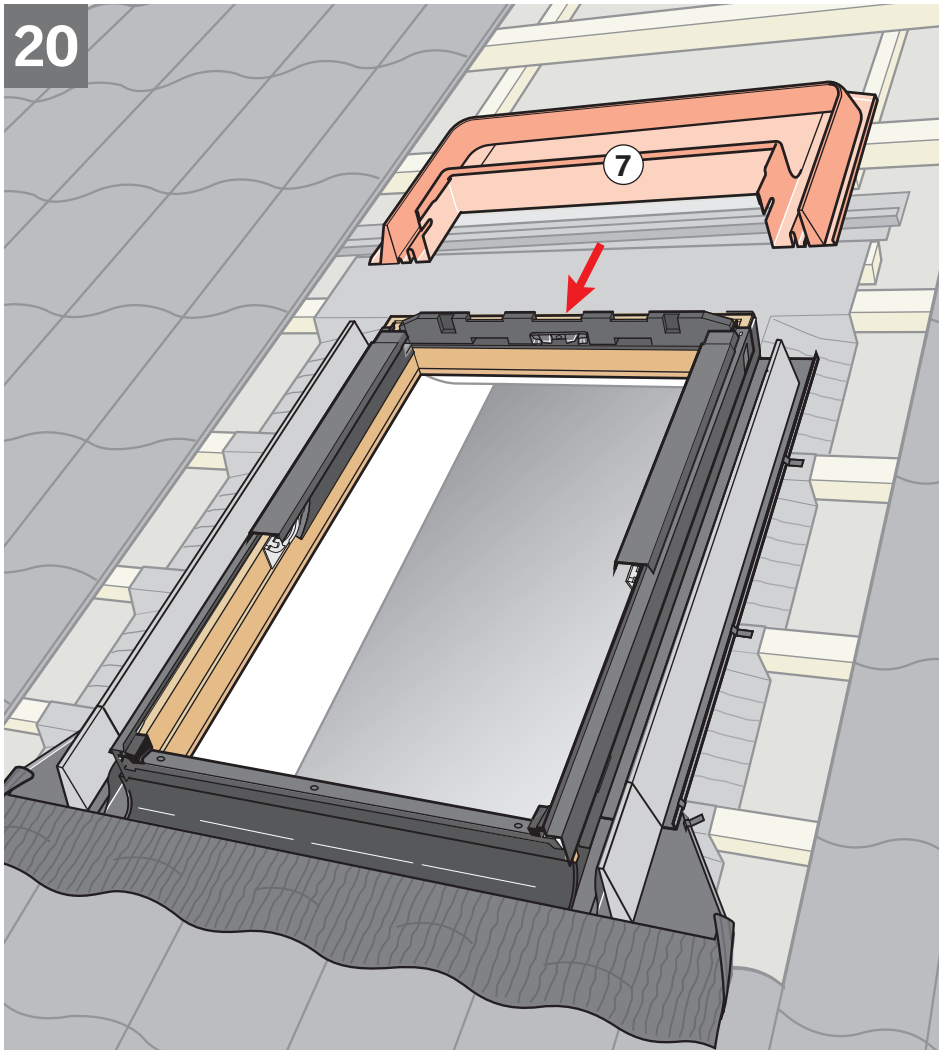
VAS 453220-2016-07



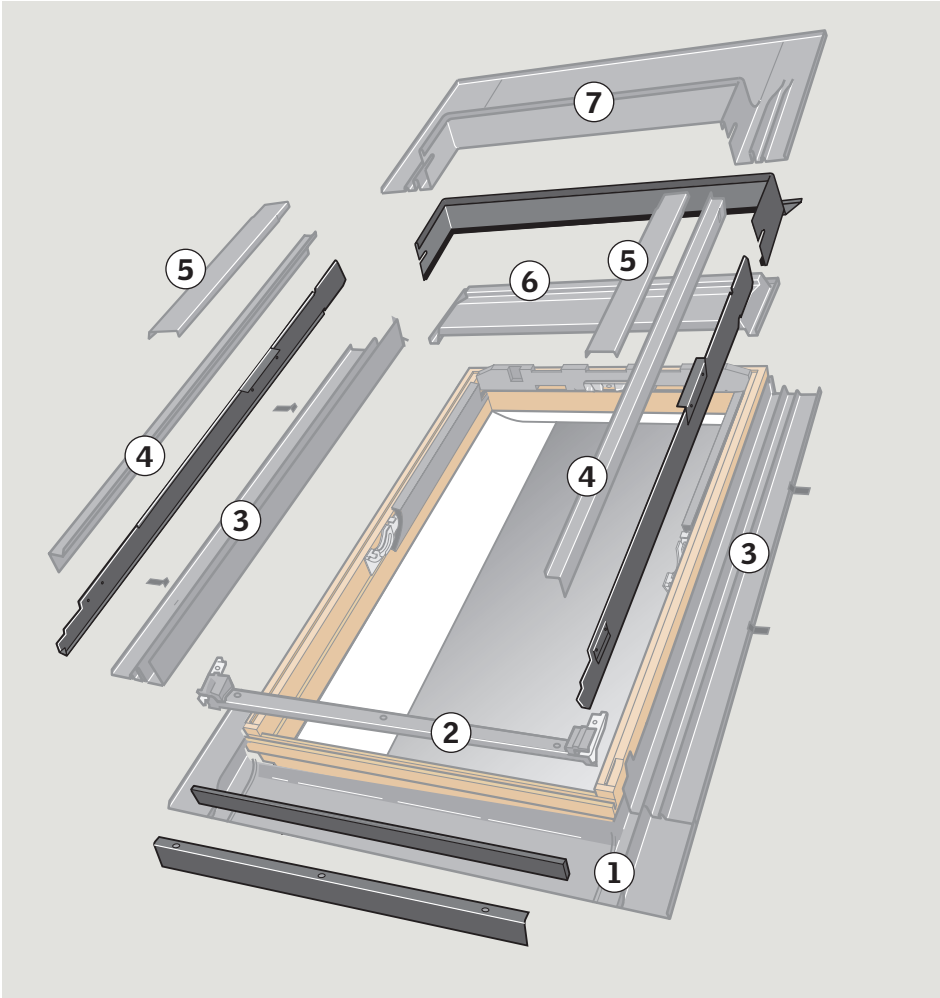




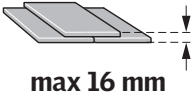


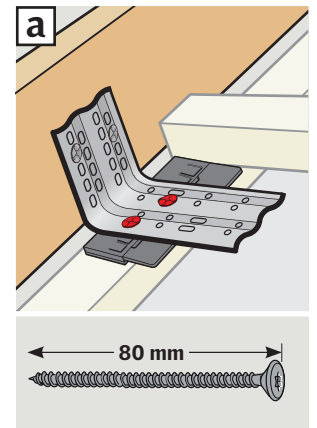
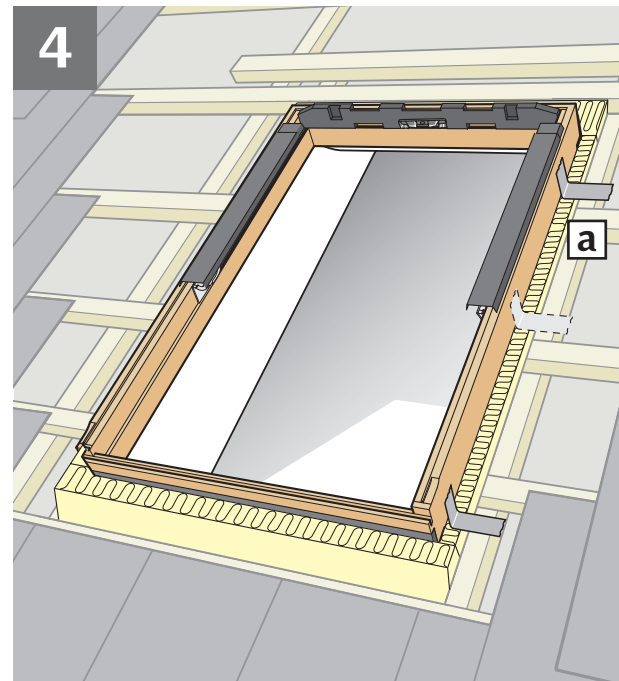
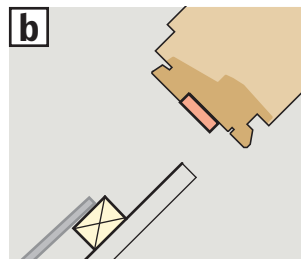
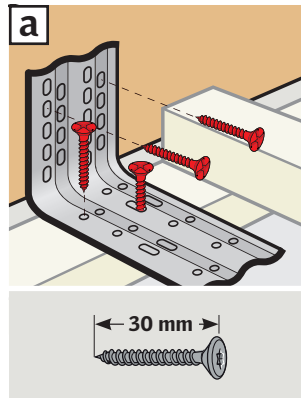
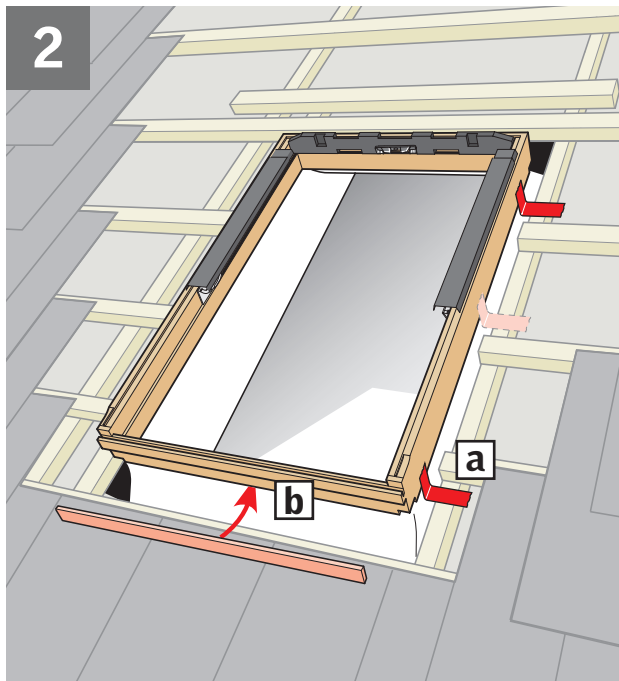
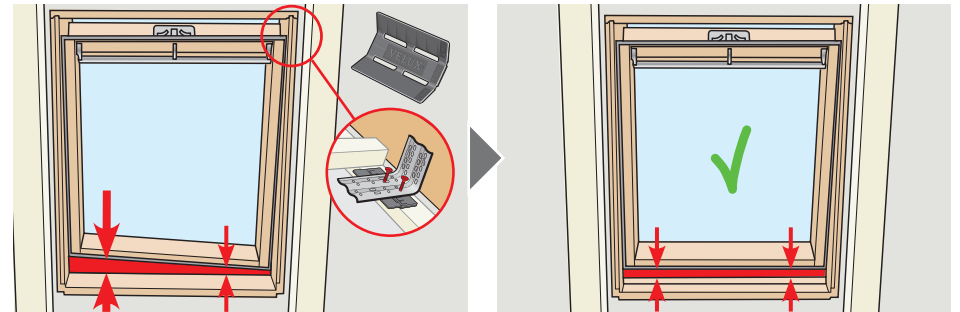
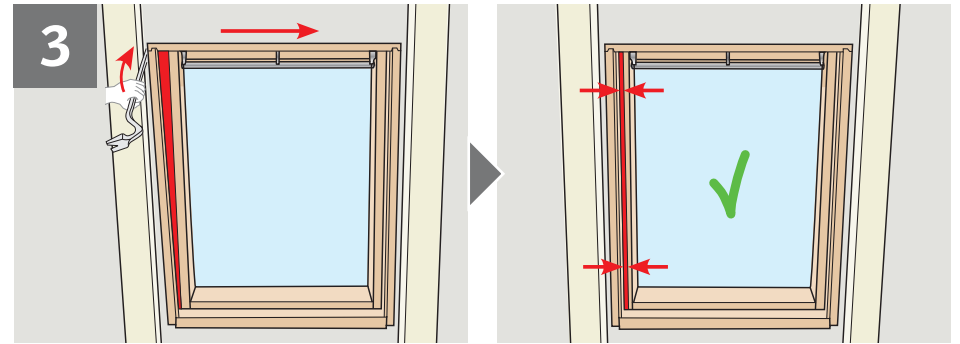
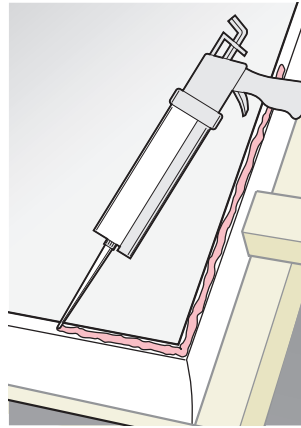
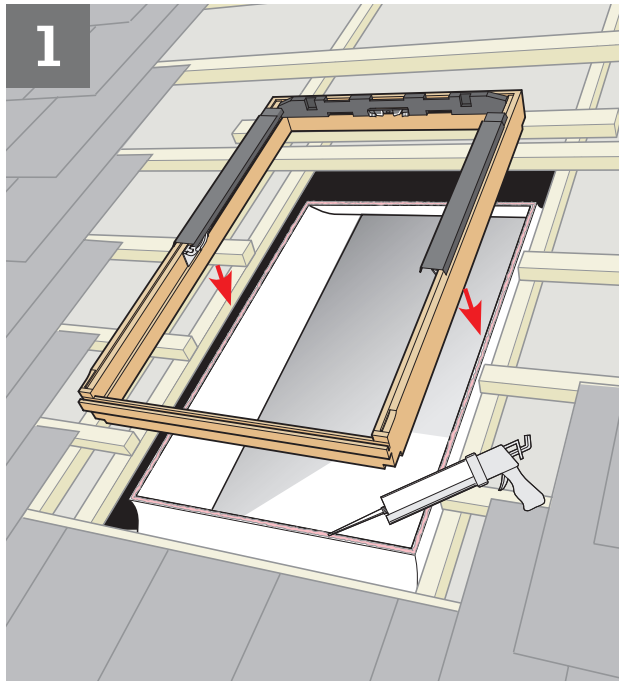


ELX

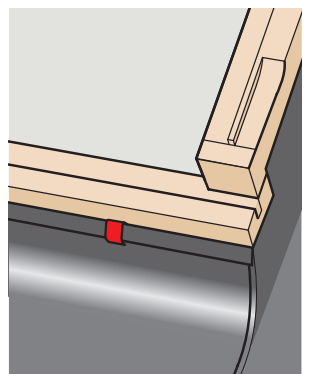
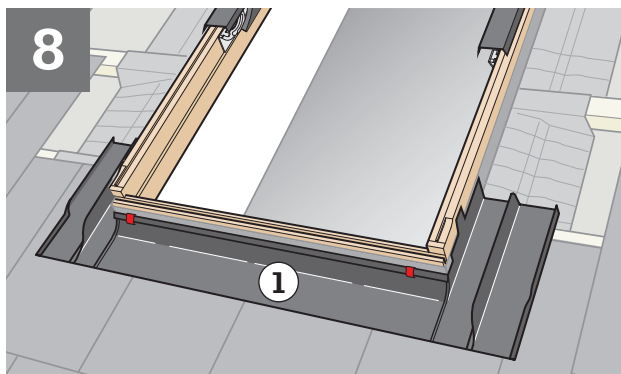
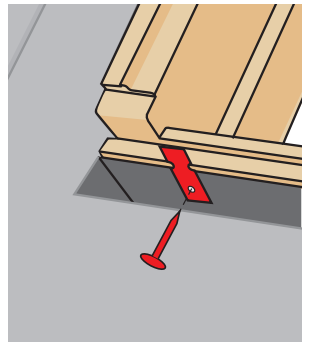
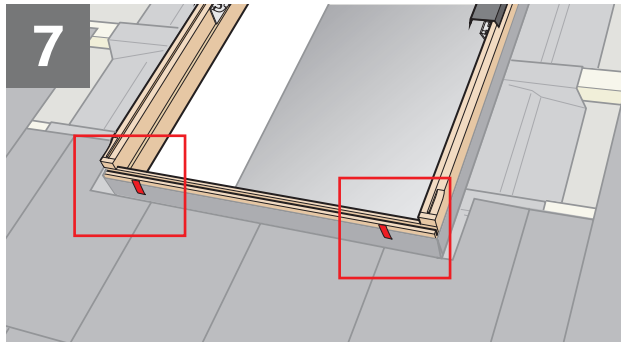
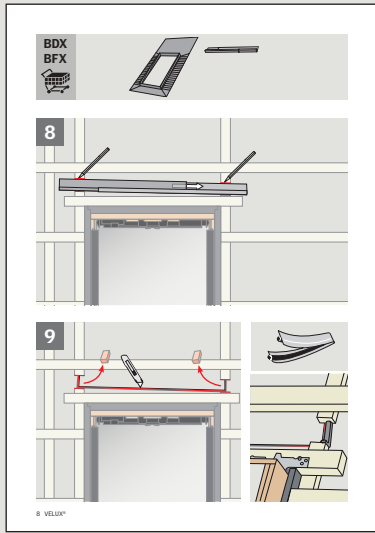
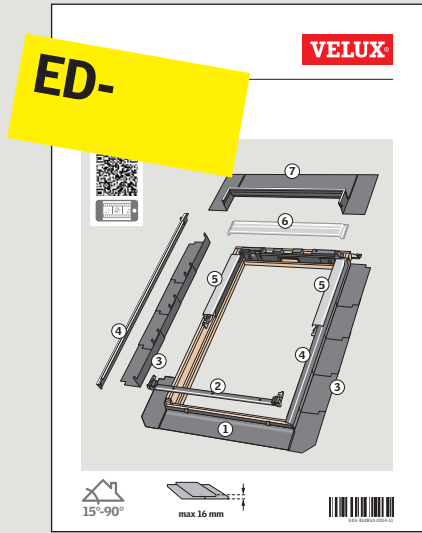


INSTALLATION INSTRUCTIONS FOR FLASHING ELX. ©2013, 2016 VELUX GROUP. ©VELUX AND THE VELUX LOGO ARE REGISTERED TRADEMARKS USED UNDER LICENSE BY THE VELUX GROUP.

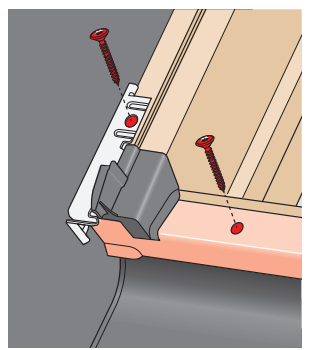
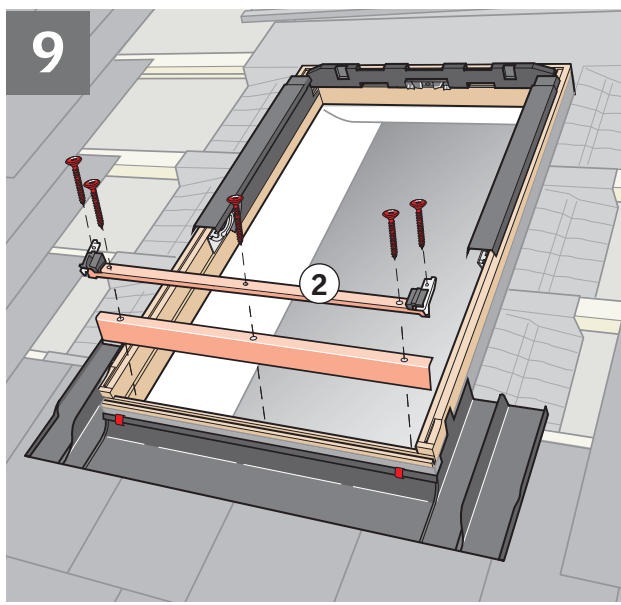
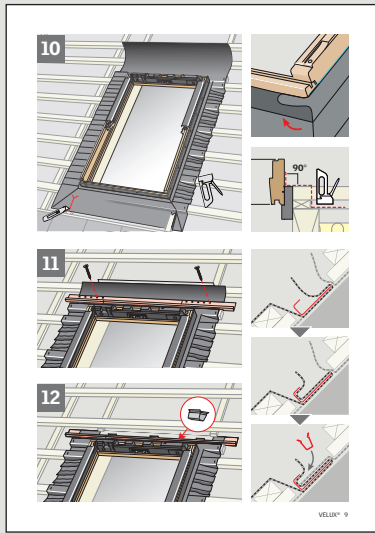
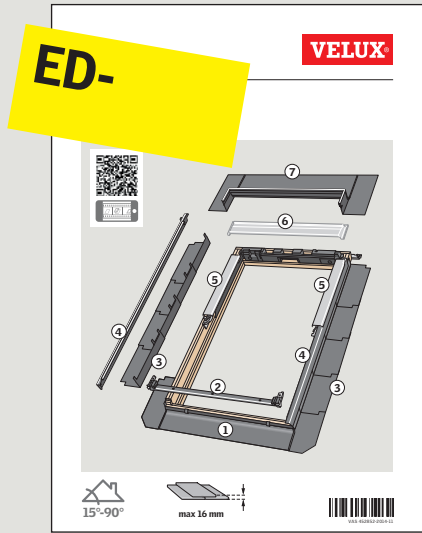


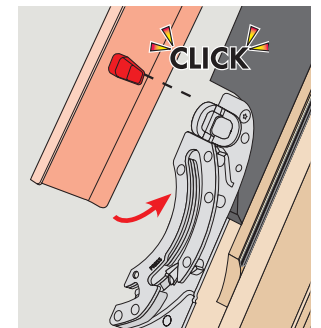
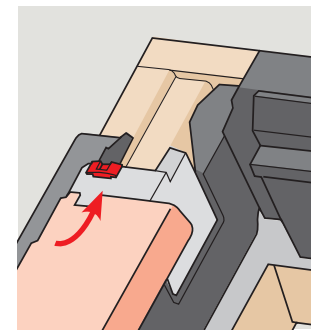
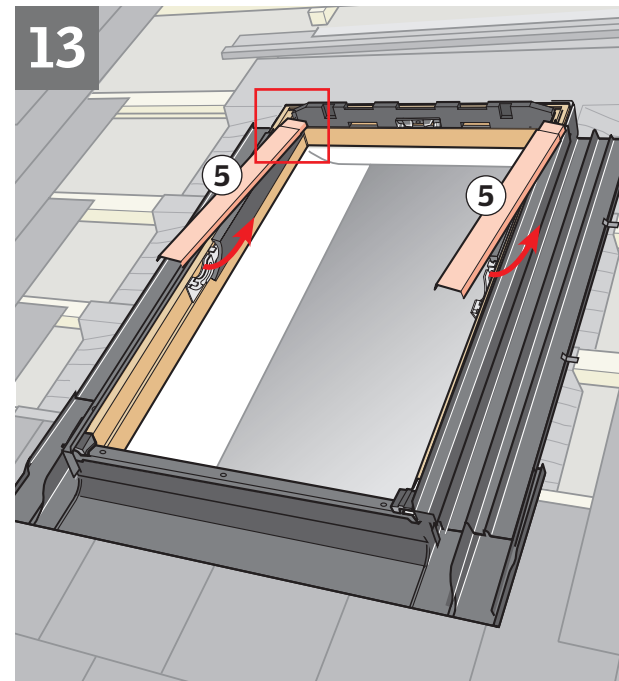
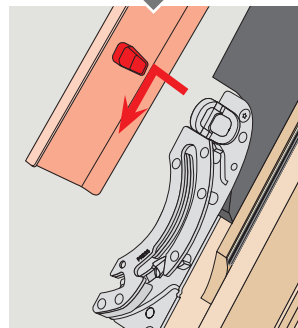
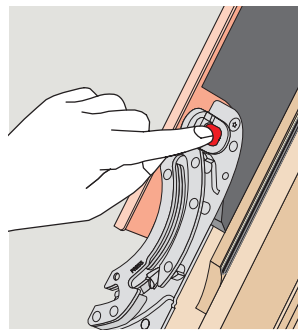
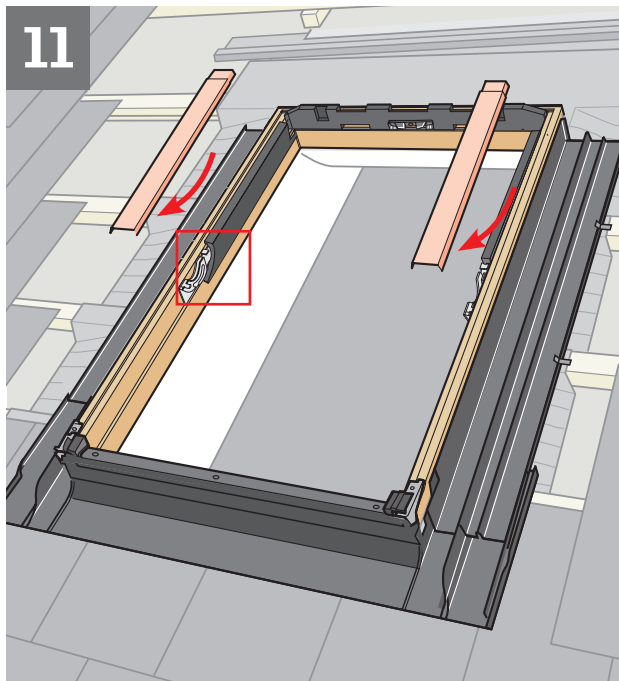
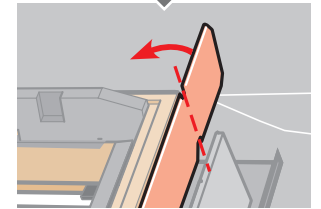
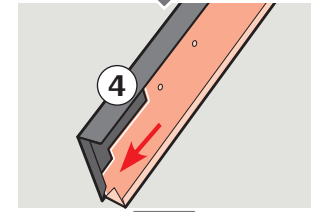
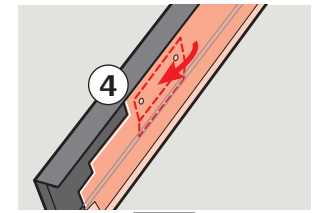
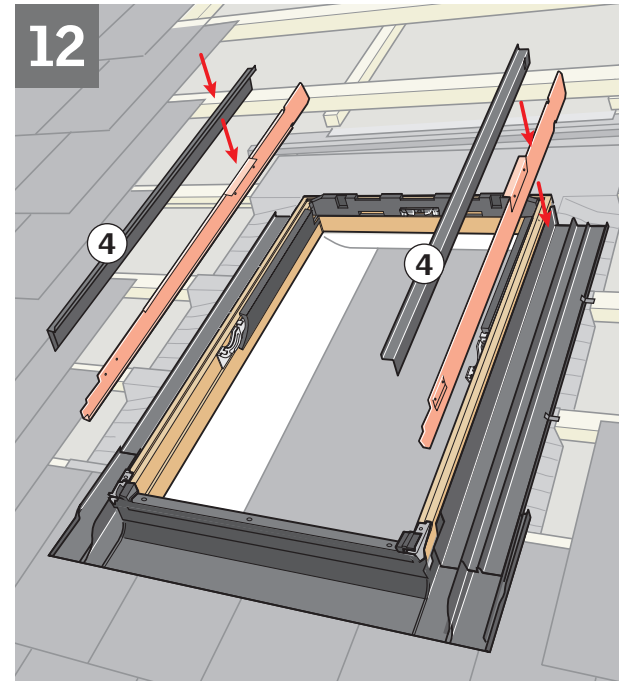
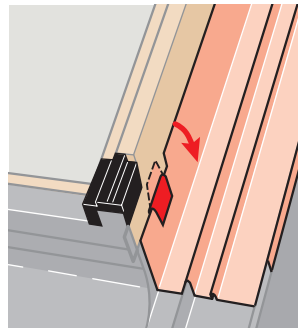
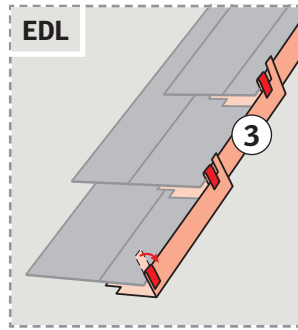
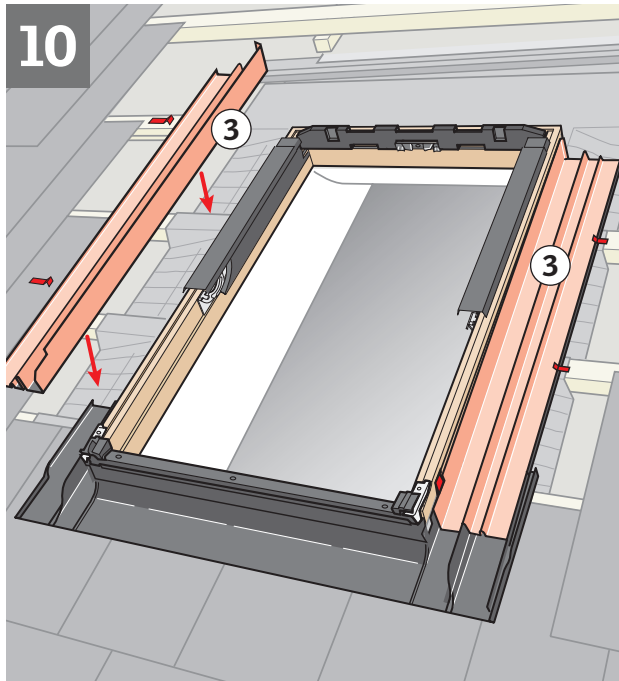


5

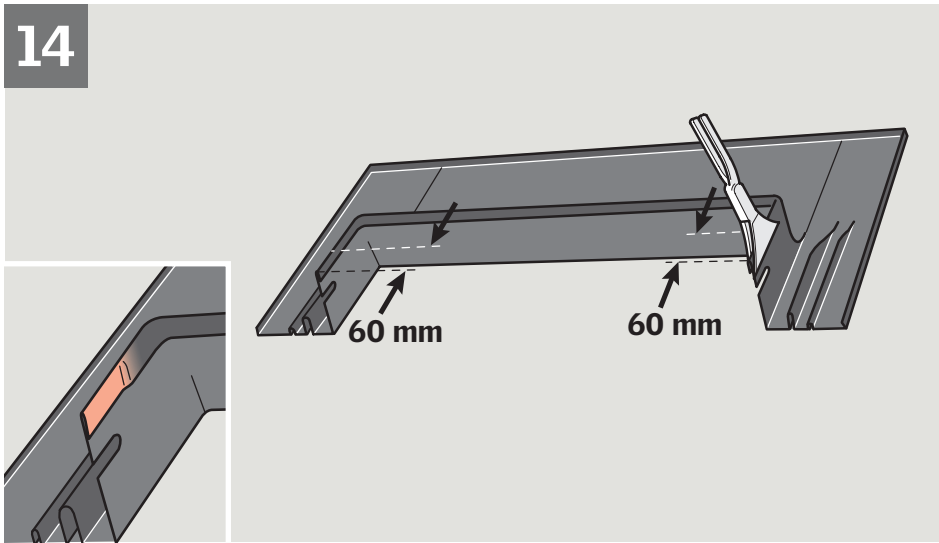


6

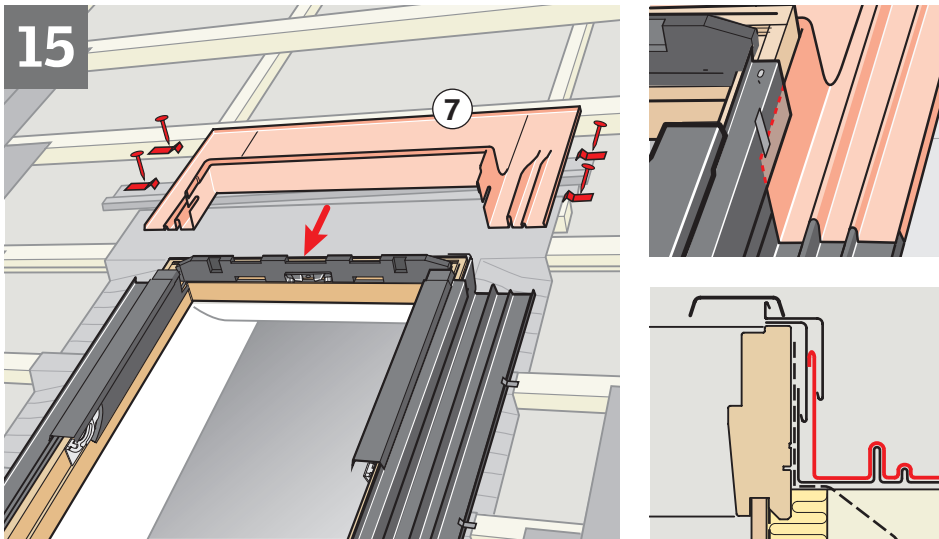




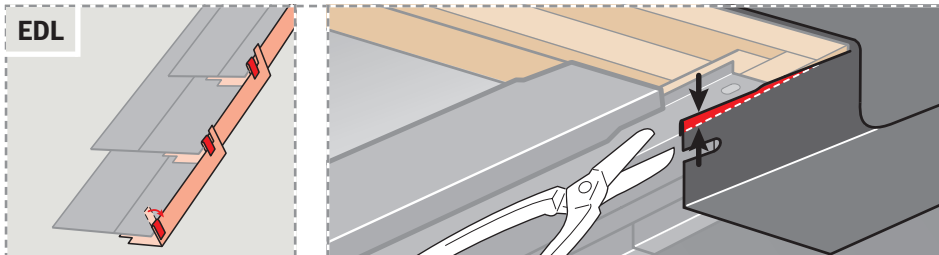
14



15



EDL



16

